

Stainless Steel Hose Reels

SS Series

SS Series "Stainless Steel" hand crank and spring driven hose reels have similar features to their related series, but are constructed of high quality electro-polished stainless steel with stainless steel fluid paths. They offer clean, non-corrosive performance in applications that require it, such as food and chemical processing, marinas, and anywhere that rust, corrosion and contamination thrive.

SS SERIES Offers...

- ✓ High Quality Electro-Polished Stainless Steel Construction
- ✓ Non-Corrosive Stainless Steel Fluid Path Featuring Stainless Steel Swivel With Non-Toxic Grease



Drive Type	Spring
	Manual
Media	Air,
	Water
	Oil
	Grease
Swivel material	S/Steel
Seal material	Viton

P, SH & MP SERIES // Air, Water & Oil

MODEL no hose	I.D.	O.D.	Length	BAR	Inlet	Outlet	KG	Size
P-LPL-335-SS-BGX	10mm	17mm	10 m	21	3/8"	3/8"	15	1
P-LPL-350-SS-BGX	10mm	17mm	15 m	21	3/8"	3/8"	18	3
P-LPL-425-SS-BGX	12mm	21mm	8 m	21	1/2"	1/2"	18	2
SHL-N-350-SS-BGX	10mm	17mm	15 m	21	3/8"	3/8"	20	3
SHL-N-450-SS-BGX	12mm	21mm	15 m	21	1/2"	1/2"	21	4
SHL-N-525-SS-BGX	19mm	29mm	8 m	21	3/4"	3/4"	20	4
MPL-N-350-SS-BGX	10mm	17mm	15 m	210	3/8"	3/8"	24	4
MPL-N-450-SS-BGX	12mm	21mm	15 m	210	1/2"	1/2"	24	4

T SERIES // Air, Water & Oil

MODEL no hose	I.D.	O.D.	Length	BAR	Inlet	Outlet	KG	Size
TSHL-N-4100-SS-BGX	12mm	21mm	30 m	21	1/2"	1/2"	36	8
TSHL-N-550-SS-BGX	19mm	29mm	15 m	21	3/4"	3/4"	32	8

EN SERIES // Air, Water & Oil

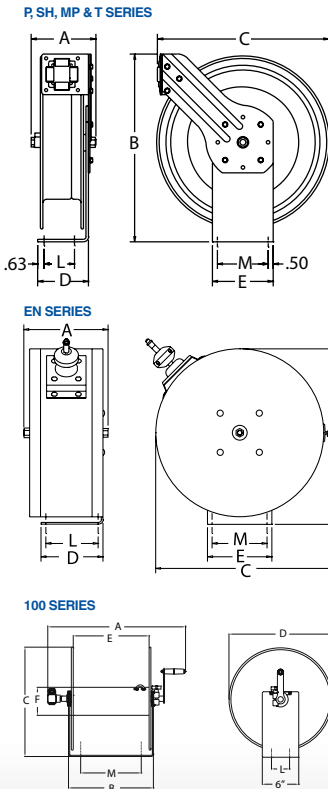
MODEL no hose	I.D.	O.D.	Length	BAR	Inlet	Outlet	KG	Size
ENL-N-350-SS-BGX	10mm	17mm	15 m	21	3/8"	3/8"	26	6
ENL-N-450-SS-BGX	12mm	21mm	15 m	21	1/2"	1/2"	28	6

100 SERIES // Air, Water & Oil

MODEL no hose	I.D.	O.D.	Length	BAR	Inlet	Outlet	KG	Size
112-4-75-SS-BGX	12mm	21mm	23 m	75	1/2"	1/2"	10	9
117-4-225-SS-BGX	12mm	21mm	68 m	225	1/2"	1/2"	14	10
117-5-100-SS-BGX	19mm	29mm	31 m	100	3/4"	3/4"	16	11

DIMENSIONS

SIZE	A	B	C	D	E	F	G	L	M
1	156	464	438	152	152	-	-	102	127
2	179	464	438	152	152	-	-	102	127
3	222	533	498	152	152	-	-	102	127
4	235	533	498	152	152	-	-	102	127
5	179	476	476	152	152	-	-	102	127
6	235	552	552	152	152	-	-	102	127
7	248	538	498	203	229	-	-	203	203
8	248	648	584	203	229	-	-	203	203
9	140	164	305	356	590	152	330	76	10"
10	140	164	432	356	590	152	457	76	10"
11	140	164	432	356	603	152	457	76	10"



Stainless Steel Hose Reels

SS Series

1125 & 1175 Series stainless steel hand crank and motorized hose reels have the features demanded by industry professionals. The industry preferred design features a sturdy one piece all welded "A" frame base, low profile outlet riser and open drum slot design provides a non-crimping, flat smooth hose wrap.

1125 & 1175 SERIES Offers...

- ✓ Stainless Steel Frame, drum and flanges
- ✓ Solid Stainless Steel Swivel
- ✓ Viton Seals Suitable For Diesel & Petrol



MOTOR

MANUAL

SPRING

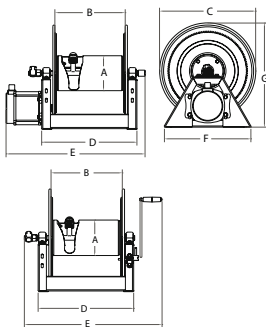
Drive Type	Manual
	Motor
Media	Air
	Water
	Oil
Swivel material	S/Steel
Seal material	Viton

1125 HAND CRANK MODELS // Air & Water & Oil

MODEL no hose	I.D.	O.D.	Length	I.D.*	O.D.*	Length*	BAR	Inlet F NPT 90°	Outlet F NPT	KG	Size
1125-4-100-SS	12mm	21 mm	30 m	10mm	19	42 m	300	1/2"	1/2"	16	1
1125-4-200-SS	12mm	21 mm	60 m	10mm	19	91 m	300	1/2"	1/2"	18	2
1125-4-325-SS	12mm	21 mm	99 m	10mm	19	136 m	300	1/2"	1/2"	22	3
1125-4-450-SS	12mm	21 mm	136 m	10mm	19	189 m	300	1/2"	1/2"	24	4
1125-4-500-SS	12mm	21 mm	152 m	10mm	19	212 m	300	1/2"	1/2"	26	5
1125-5-50-SS	19mm	29 mm	15 m	12mm	22	30 m	300	3/4"	3/4"	17	6
1125-5-100-SS	19mm	29 mm	30 m	12mm	22	61 m	300	3/4"	3/4"	19	7
1125-5-175-SS	19mm	29 mm	53 m	12mm	22	98 m	300	3/4"	3/4"	23	8
1125-5-200-SS	19mm	29 mm	61 m	12mm	22	136 m	300	3/4"	3/4"	25	9
1125-5-250-SS	19mm	29 mm	76 m	12mm	22	152 m	300	3/4"	3/4"	27	10
1125-6-35-SS	25mm	37 mm	10 m	19mm	32	15 m	300	1"	1"	23	11
1125-6-50-SS	25mm	37 mm	15 m	19mm	32	23 m	300	1"	1"	25	12
1125-6-75-SS	25mm	37 mm	23 m	19mm	32	36 m	300	1"	1"	28	13
1125-6-100-SS	25mm	37 mm	30 m	19mm	32	45 m	300	1"	1"	31	14

* Adapter required
For dimensions & drawings please see page 26

1125 SERIES

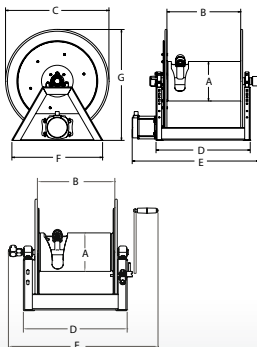


1175 HAND CRANK MODELS // Air & Water & Oil

MODEL no hose	I.D.	O.D.	Length	I.D.*	O.D.*	Length*	BAR	Inlet F NPT 90°	Outlet F NPT	KG	Size
1175-6-50-SS	25mm	37mm	15 m	19mm	29mm	30 m	300	1"	1"	30	1
1175-6-100-SS	25mm	37mm	30 m	19mm	29mm	45 m	300	1"	1"	32	2
1175-6-125-SS	25mm	37mm	38 m	19mm	29mm	61 m	300	1"	1"	33	3
1175-6-135-SS	25mm	37mm	41 m	19mm	29mm	53 m	300	1"	1"	32	6
1175-6-150-SS	25mm	37mm	45 m	19mm	29mm	76 m	300	1"	1"	34	4
1175-6-200-SS	25mm	37mm	60 m	19mm	29mm	91 m	300	1"	1"	38	5

* Adapter required
For dimensions & drawings please see page 27

1185 SERIES



For dimensions & drawings please see page 26

MOTORS DRIVEN MODELS // Add the suffix to hand crank models above

Suffix #	Motor Type	Description	Extra KG
A	AIR #4 GAST	Comp. Air Motor	4
E	ELECTRIC - 12V DC	1/3 HP	6
EB	ELECTRIC - 24V DC	1/2 HP	12
ED	ELECTRIC Explosion Proof	1/2 HP	12
EA	ELECTRIC Explosion Proof - 115V DC	1/2 HP	12
H	HYDRAULIC	End Ported 9/16-18 UNF	3
C	CRANK	Bevel Gear	2

